



## Description

Mircom's MS-710APU Advanced Protocol Intelligent Manual Station is made of a high quality, die-cast metal and is available as a dual-action device with key resets and a permanently attached intelligent module. The intelligent manual station has a pair of rotary decimal switches which allows for two digit address setting. Pulling the handle initiates the operation of the intelligent module.

The manual station is available with CAT-30 keys and mounts on a standard single gang backbox, Mircom model BB-700 interior surface metal backbox, or BB-700WP weather proof backbox.

Mircom's Advanced Protocol (AP) devices use a high speed communication protocol that greatly increases the speed of communication between the intelligent devices. Mircom's Advanced Protocol uses a superior group polling method as well as an interrupt feature that provide for a faster response to an alarm condition. In addition, the Advanced Protocol allows for greater system capacity with support for up to 318 devices per SLC circuit. The AP devices are backwards compatible to operate in CLIP mode for legacy system applications.

## Features

- Dual Action
- Key resettable
- Permanently attached Intelligent Addressable Module
- Rotary switches for direct-dial entry of address. Each unit can have address set for 01-159 for Advanced Protocol mode and 01-99 for CLIP mode
- High-gloss red enamel finish
- Plastic breakrod
- Meets ADA 5 lb. maximum manual-force
- Mounts on standard single gang box, Mircom's BB-700 surface metal backbox or BB-700WP weather proof backbox

## Operation

The MS-710APU Dual Action Intelligent Manual Station is operated by pushing the bar labelled "PUSH BAR" and then pulling down the handle marked "PULL HANDLE". The MS-710APU is reset by opening the station with the key, placing the handle in the normal upright position and re-locking the station.

## Specifications

The manual station shall be Mircom's MS-710APU. Operating instructions shall be in raised English lettering and the unit shall be constructed of high quality die-cast metal and finished in red enamel paint to provide quick identification. Pulling the handle shall initiate immediate operation of the intelligent addressable module. All manual fire alarm stations shall be installed as per the specific requirements outlined in the UL codes, as well as all other applicable national or local codes. Final acceptance is subject to the local authority having jurisdiction.



## Specifications

<b>Dimensions</b>	4.93" H x 3.56" W x 2.9" D
<b>Nominal Operating Voltage</b>	15–32 VDC
<b>Maximum Alarm Current @ 24V</b>	600 $\mu$ A
<b>Average Operating Current @ 24V</b>	400 $\mu$ A

## Surface Mount Backboxes



**BB-700 Surface Mount Backbox**

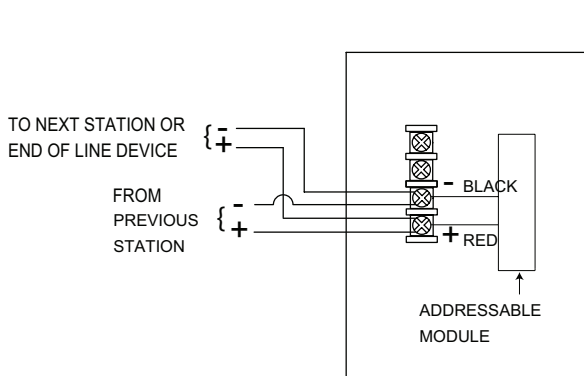
**Dimensions:**  
5" H x 3.6" W x 2.0" D



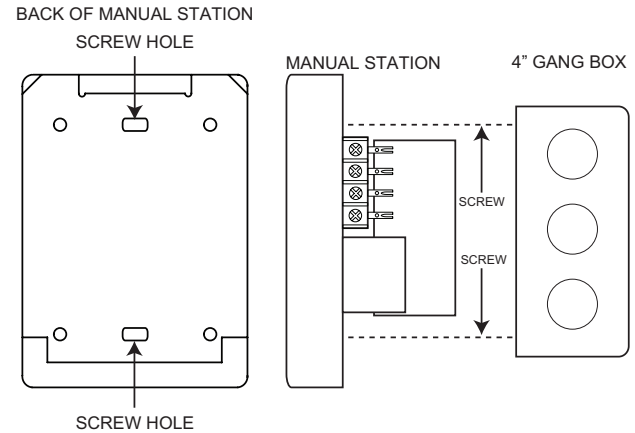
**BB-700WP Weatherproof Surface Mount Backbox**

**Dimensions:**  
5" H x 3.6" W x 2.2" D

## Wiring Diagram



## Mounting Diagram



## Ordering Information

Model	Description
MS-710APU	Advanced Protocol Intelligent Key Resettable Dual Action Manual Station
BB-700	Series 700 Interior Surface Mount Backbox, Red Finish
BB-700WP	Series 700 Weatherproof Surface Mount Backbox, Red Finish

NOT TO BE USED FOR INSTALLATION PURPOSES.



**Canada**

25 Interchange Way  
Vaughan, Ontario L4K 5W3  
Telephone: (905) 660-4655  
Fax: (905) 660-4113

**U.S.A.**

4575 Witmer Industrial Estates  
Niagara Falls, NY 14305  
Toll Free: (888) 660-4655  
Fax Toll Free: (888) 660-4113

Web page: <http://www.mircom.com> Email: [mail@mircom.com](mailto:mail@mircom.com)

Distributed by:

ISO 9001:2008  
REGISTERED



CAT. 5954  
Rev. 0